

ZAPPONE™ COPPER SHINGLE AND ACCESSORY DETAILS

PAGE 1

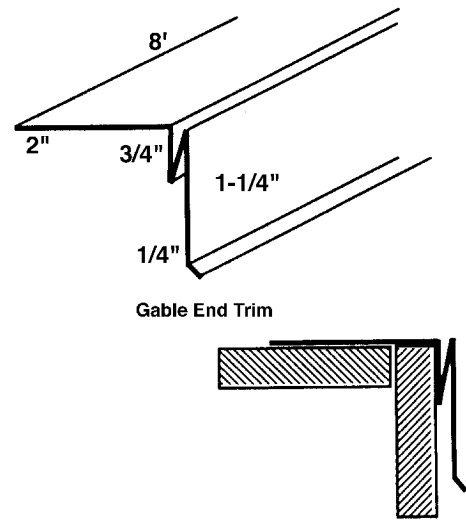
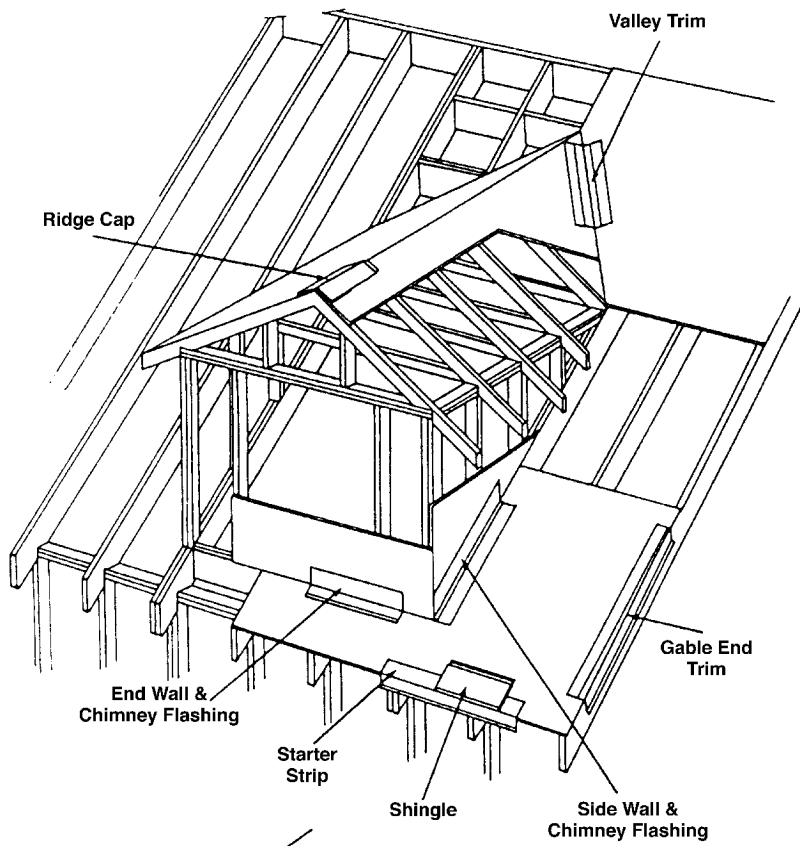


Figure #1

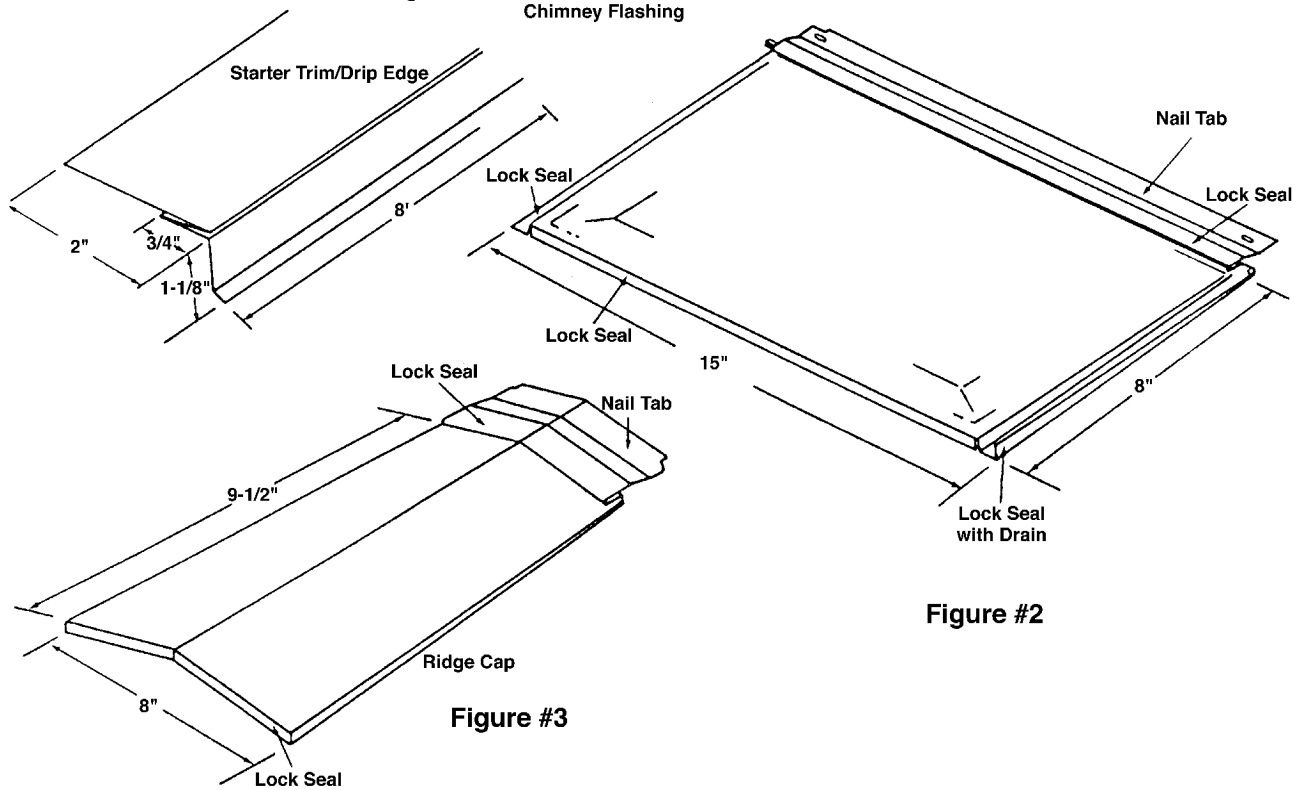
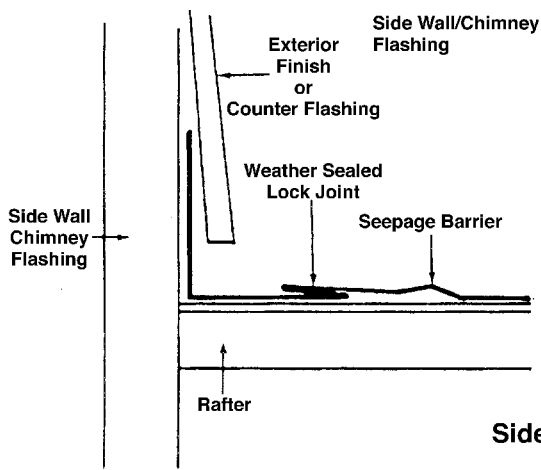


Figure #2

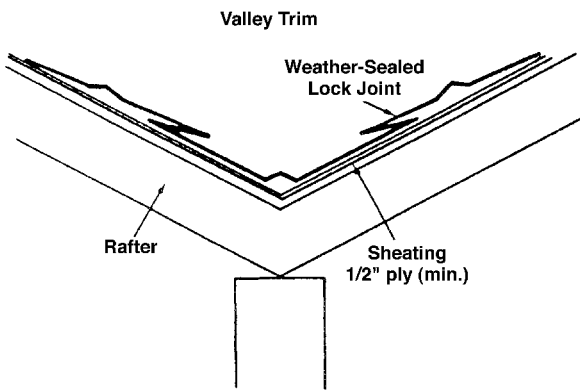
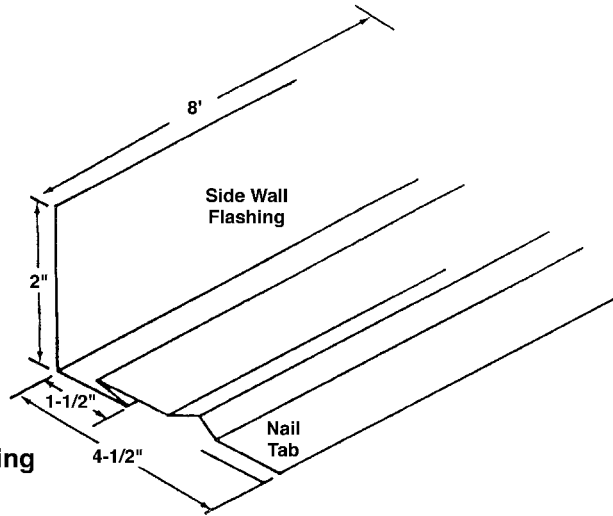
Figure #3

ZAPPONE™ COPPER SHINGLE AND ACCESSORY DETAILS

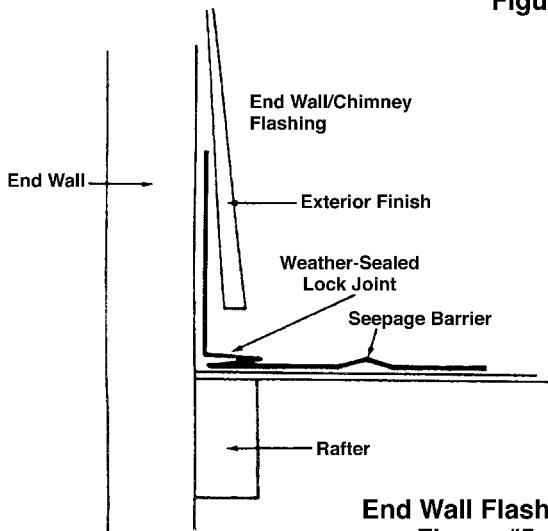
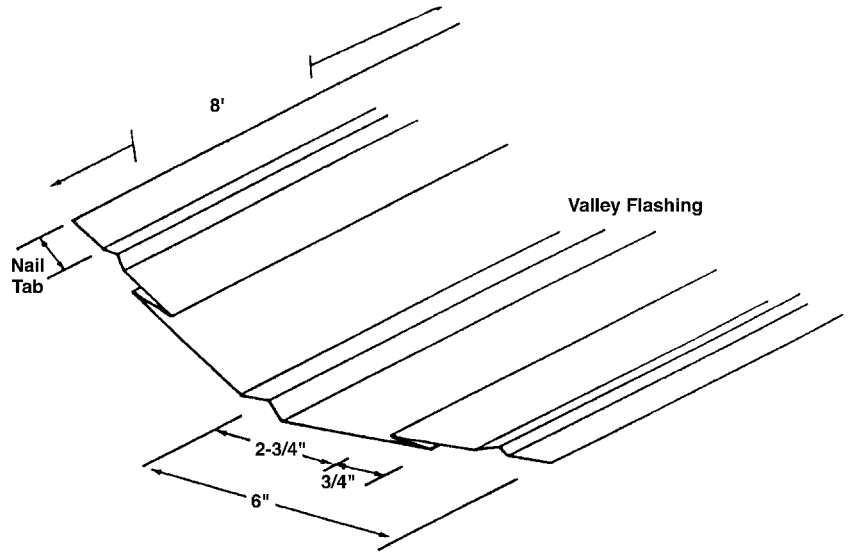
PAGE 2



Side Wall Flashing
Figure #4



Valley Flashing
Figure #6



End Wall Flashing
Figure #5

